



Sunda Hardware Co.,Ltd.

www.sundahardware.com

Factory Add:

Yongli Industry Area, JinLi Town, ZhaoQing City, GuangDong Province, China.

Office Add:

No.1 HuangTang West Rd, ZhaoQing, GuangDong, China.

Postcode:526020

Tel:86-758-2910323 2910989 2910909

Fax:86-758-2910263

E-mail: rita2525@126.com

Contact:Ms.Rita Wu



COMPANY PROFILE

Our factory was established in 1992, located in Yongli Industry Area, Jinli Town, Zhaoqing City, Guangdong Province, where is one of the biggest "Hardware Producing & Purchasing Base" in China. We are specialized in producing Door Hardware and Glass Hardware and Furniture Handle in Stainless Steel and Zinc Alloy, with over 20 years experiences.

As a modern scientific and trading enterprise, we integrate the design, production and sale. We have more than 400 employees in our factory, which covers an area of 8000 square meters. With our product fine quality and premium service, we gained good reputations home and abroad.

















We insist on the principle of "Perfect Design, High Quality, Competitive Price, Good Service and On-Time Delivery", and we'll never cease our pace forwards of offering you better choice. We are willing to set up long-term and profitable business relationships with you. Your support and cooperation will be greatly welcomed and highly appreciated.



FINISHES AVAILABLE:

- SSS: Satin stainless steel
- PSS: Polished stainless steel
- SB: Satin brass
- PB: Polished Brass
- BP: Brass plated
- CP: Polish chrome plated
- SCP: Satin chrome plated
- GP: Gold plated
- BNP: Brush nickel plated
- SN: Satin nickel plated
- AB: Antique brass plated
- AC: Antique copper plated

CONTENTS

	DOOR HANDLE	1-12
	MORTISE LOCK	13
	CYLINDER	14
	CONCEAL HINGE	15-19
	SPRING HINGE	20-23
	HINGE	24-25
	THUMB TURN	26-27
	HOOK	28-30
	DOOR STOPPER	31-35
	MAGNETIC DOOR HOLDER	36-37
	DOOR HARDWARE ACCESSORIES	38
	DOOR BOLT	39-42
	DOOR GUARD	43-45
	DOOR CLOSER	46-59
	SIGN PLATE	60-62
	PARTITION HARDWARE	63-64

How to choose hardware for wood door



Various lenses and colors are available. Plz avoid pipes when installation in case there is metal door in the front.



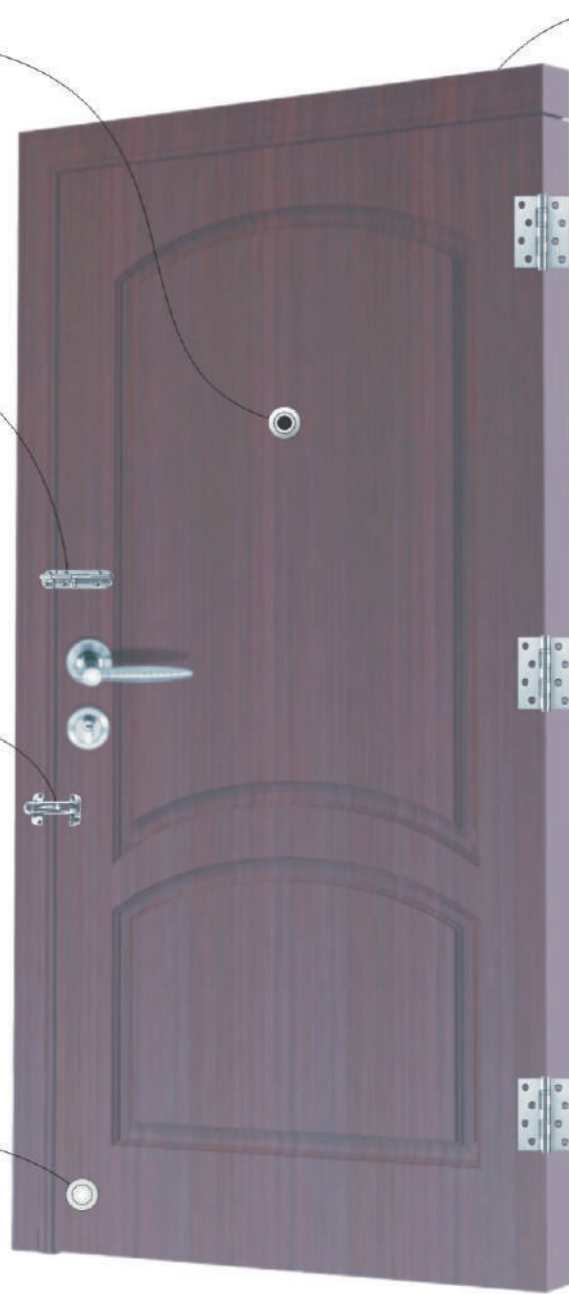
various designs and sizes of door bolt for choosing as per actual door type.



door guard or door chain works as a simple indoor security device against breaking in from outdoors.



choose buffer door stop or magnetic door stop or floor door stop as per actual door type and the distance between door and wall.



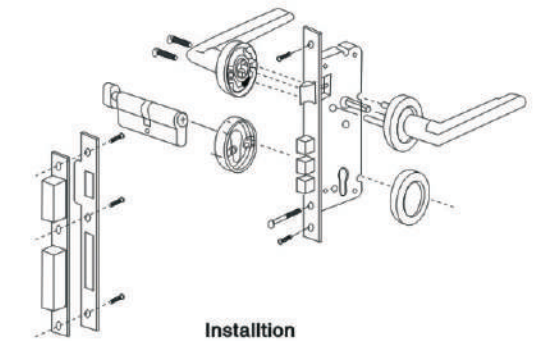
visible and conceal door closers are both available, choose proper type as per actual door width and weight, a function of auto-stop at anchor point of 90 degree is optional choice.

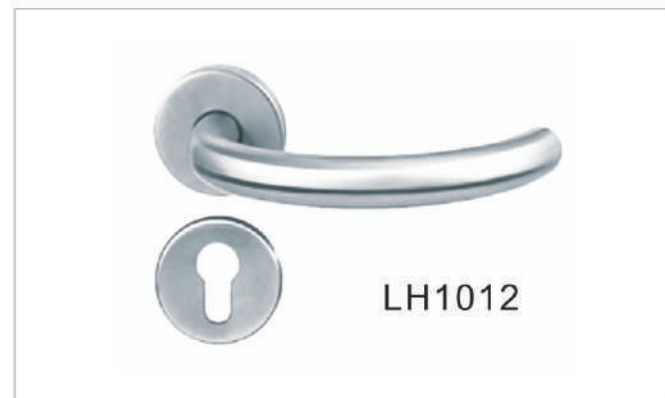


vairous designs and sizes are available, choose proper number of hinges when installing as per actual door weight. plz note that certain designs have left-handed and right-handed type.

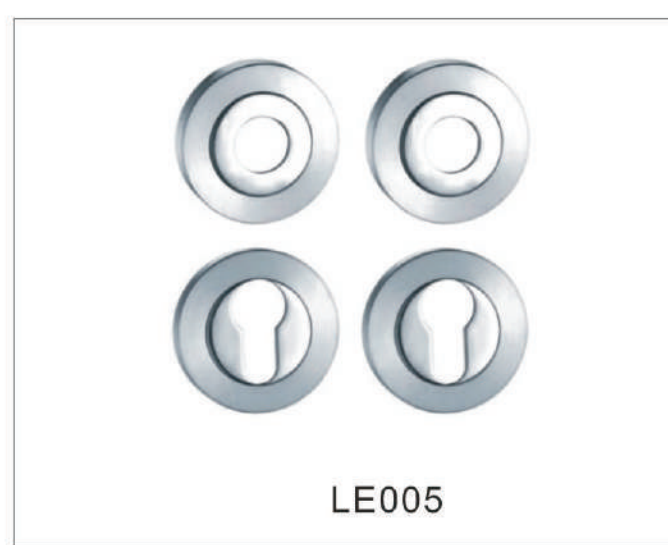
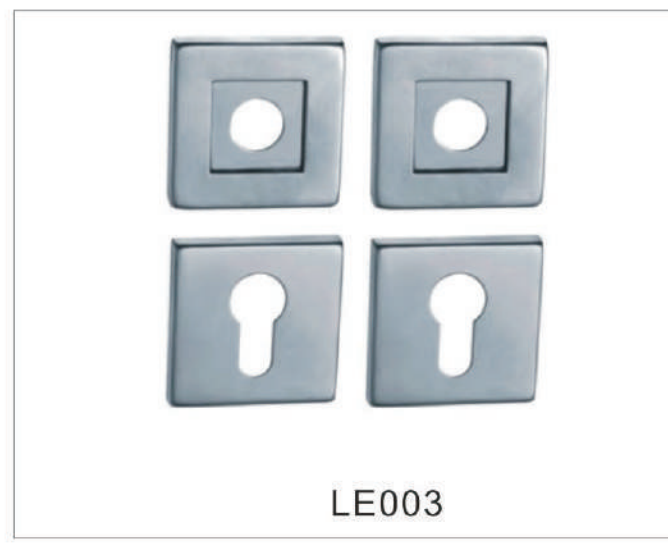
Locking System

for passage door, security door and bathroom door
door thickness: 35mm-50mm
backset: 45-60mm.











LH3001



LH3002



LH3003



LH3004



LH3005



LH3006



LH3007



LH3008



LH3009



LH3010



LH3011



LH3012



LH3013



LH3014

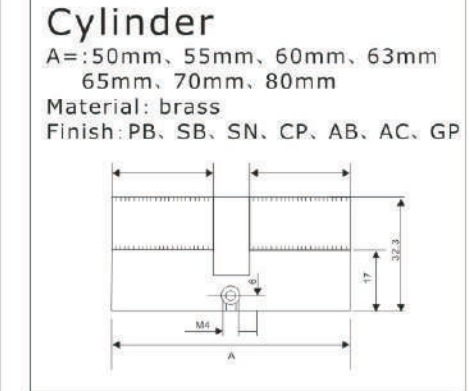
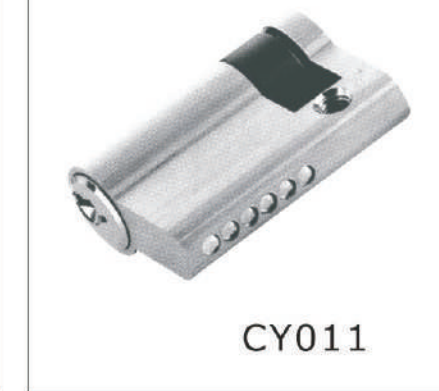
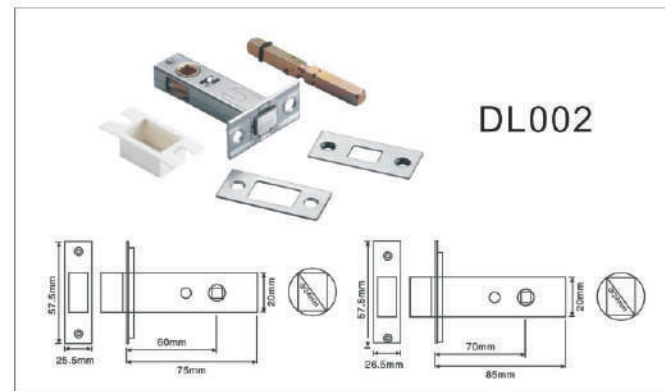
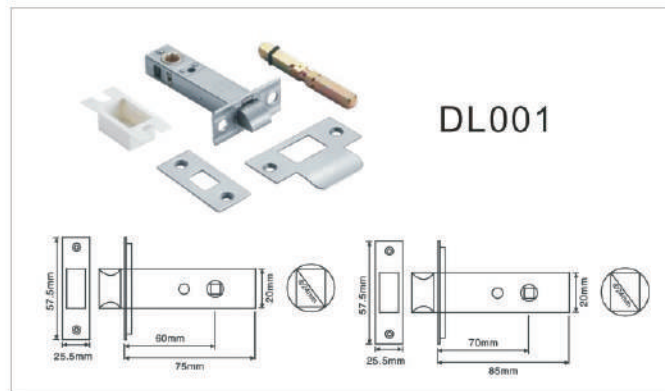


LH3015



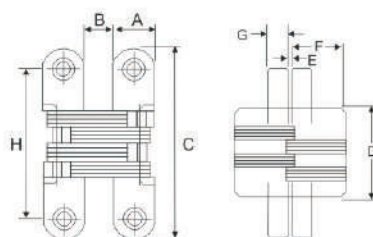
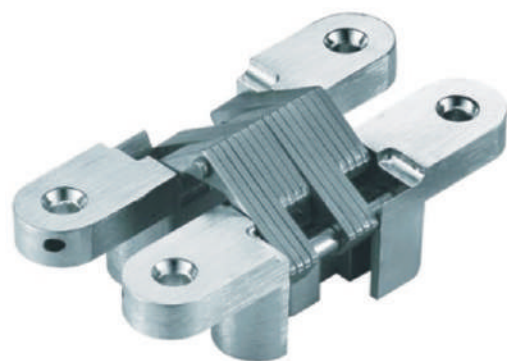
LH3016



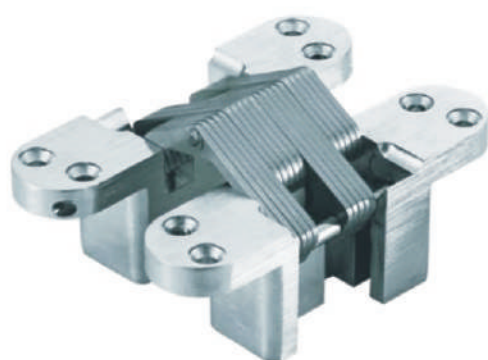


CCH003-CCH009

Conceal Hinge
Material: zinc alloy
Finishes: SCP, CP, SN, PB, AB, AC

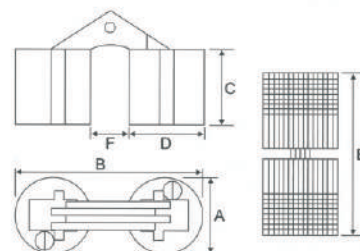


Model	Size(mm)								Thickness And Deviation Of Each Connection
	A	B	C	D	E	F	G	H	
CCH003	12.4	8.8	43.7	18.7	0.8	18.3	4.9	31.7	1.12 ± 0.02
CCH004	12.7	8.1	60.4	30	0.8	17.8	5.6	46	1.15 ± 0.02
CCH005	15.7	11.5	68.8	33.7	1.0	22.7	7.0	51.8	1.45 ± 0.02
CCH006	18.4	12.6	94	54.5	1.0	26.8	8.7	74	1.95 ± 0.02
CCH007	24.7	18	115.8	63.8	1.23	36.5	10.5	105	2.45 ± 0.02
CCH008	27.8	23	116	61.3	1.2	41	9.1	81.2 87.8	2.45 ± 0.02
CCH009	33.6	28.2	137.2	73.8	1.3	49.5	11	113.5 102.4	2.45 ± 0.02



CH010-CCH015

Conceal Hinge
Material: brass
Finishes: BRASS SELF COLOR

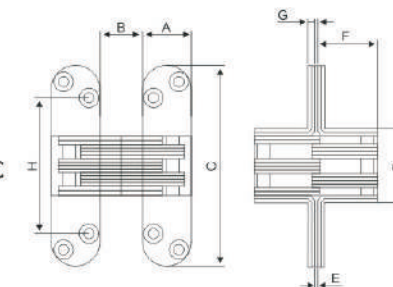


Model	A	B	C	D	E	F
CCH010	9.8	25.8	11	10	22	5.5
CCH011	11.8	30.8	13.5	12	27	6.5
CCH012	13.7	35.8	15.5	14	31.5	7.5
CCH013	16	40	16.4	16	33.2	8.5
CCH014	17.9	40	18	18	35.7	9.5
CCH015	24	59.5	25	24	50	11.5



CCH1003-CCH1009

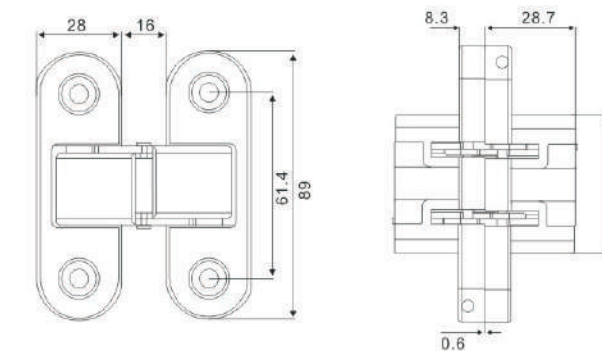
Stainless Steel Conceal Hinge
Material: stainless steel
Finishes: SSS, PSS, SN, PB, AB, AC



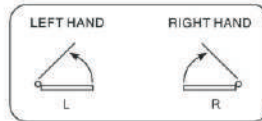
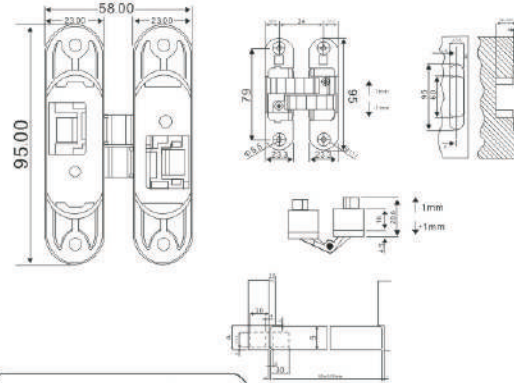
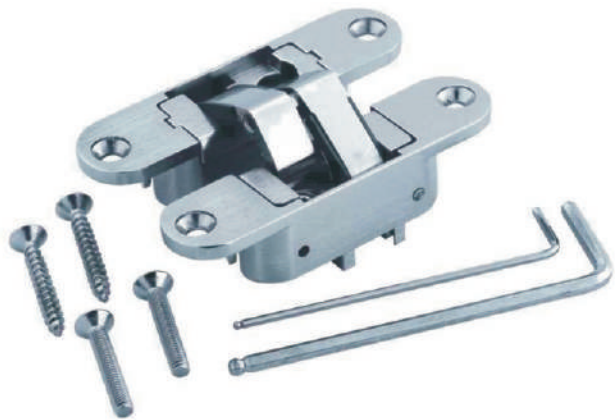
Model No.	Size(mm)								Thickness And Deviation Of Each Connection
	A	B	C	D	E	F	G	H	
CCH1003	12.4	11.5	44.5	12	0.5	16.7	1.5	32	1.5 ± 0.02
CCH1004	13.3	9.5	53	16	0.5	18.5	2	40	
CCH1005	15.7	10.5	69	21	0.8	19	3	52	
CCH1006	18.5	14	84	28	0.8	24	4	64	2.0 ± 0.02
CCH1007	24.7	18	106	37.5	1	32	5	82	2.5 ± 0.02
CCH1008	30	22.5	116	47.5	1.5	39.5	5	86 93	
CCH1009	33.5	26	137	50	1.5	40.5	5	92.5 114.5	

CCH016

Plastic Conceal Hinge
Material: plastic+stainless steel
Finishes: SSS, PSS, SN, PB, AB, AC



CCH017-1



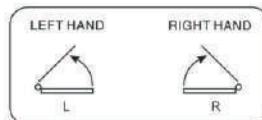
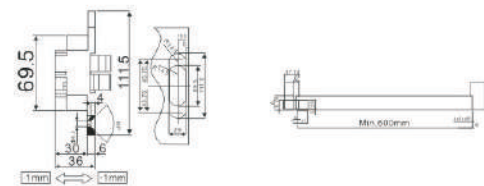
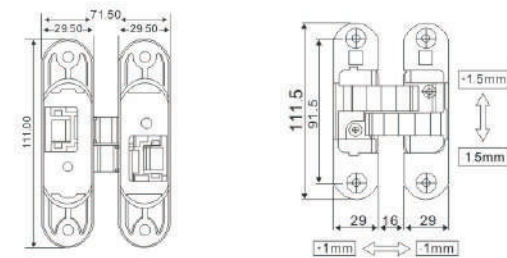
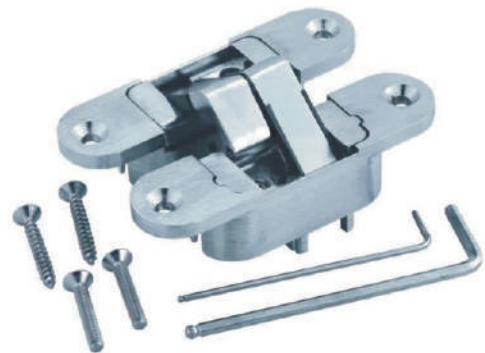
Feature:

- for wood door, shutter door, aluminium door, armored door, etc;
- for left open door, or right open door;
- opening angle: 180 degree;
- material: zamak
- using wear-resistant nylon washers, no need lubricating oil;
- easy installation and removal, invisible and adjustable after installing;
- 3-dimension adjustable: vertical \pm 1mm, horizontal \pm 1mm, depth \pm 1mm;
- surfaces available: satin nickel / satin chrome / pearl chrome / pearl nickel / antique brass / antique copper / etc

Technical Parameters:

- size: 23x95mm
- max load: 40kg per 3pcs hinges;
- min door thickness: 35mm;
- max door width: 1000mm;
- requires 4 pcs hinges when door high over 2100mm.

CCH017-2

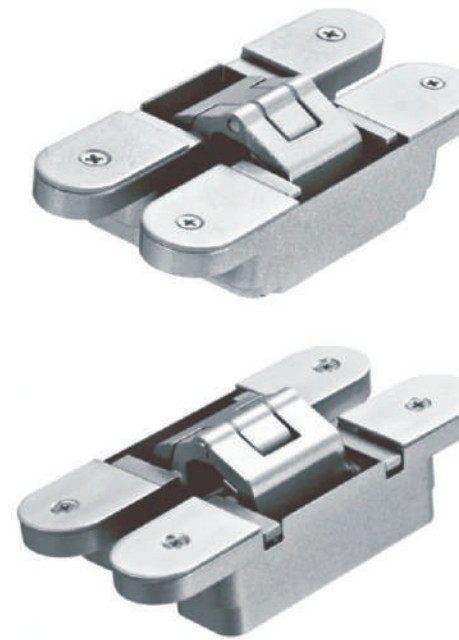


Feature:

- for wood door, shutter door, aluminium door, armored door, etc;
- for left open door, or right open door;
- opening angle: 180 degree;
- material: zamak
- using wear-resistant nylon washers, no need lubricating oil;
- easy installation and removal, invisible and adjustable after installing;
- 3-dimension adjustable: vertical \pm 1.5mm, horizontal \pm 1mm, depth \pm 1mm;
- surfaces available: satin nickel / satin chrome / pearl chrome / pearl nickel / antique brass / antique copper / etc

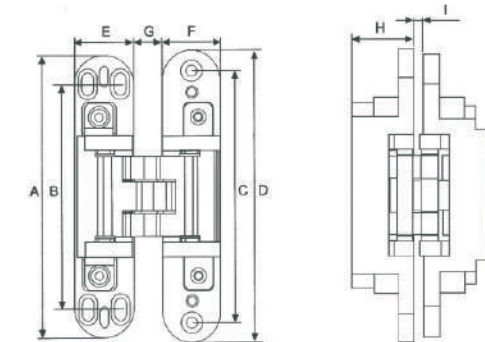
Technical Parameters:

- size: 30x110mm
- max load: 60kg per 3pcs hinges;
- min door thickness: 40mm;
- max door width: 1000mm;
- requires 4 pcs hinges when door high over 2100mm.



CCH018-1/CCH018-2

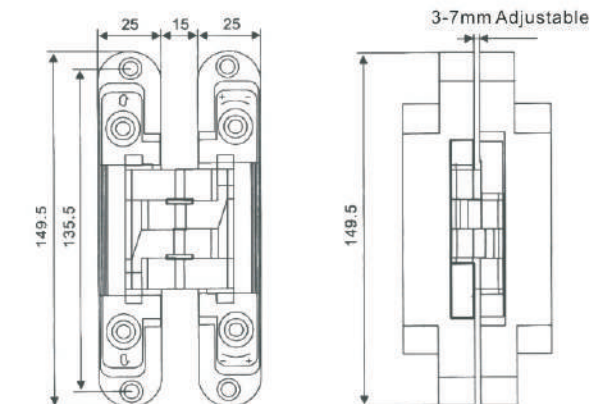
3D Invisible Hinge
Material: zinc alloy



Model	SIZE(mm)								
	A	B	C	D	E	F	G	H	I
CCH017-1	120.8	97	113	125.8	25	22.5	8.5-11	24.8	0.5-5.5
CCH017-2	134.5	107.5	120	139.7	27.35	28.7	13.53	30	3.94

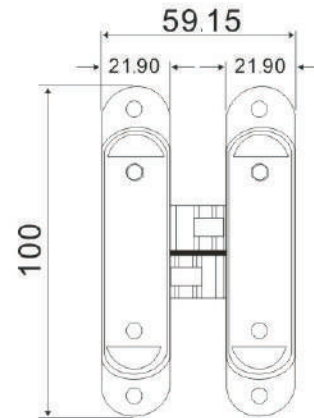
CCH019

3D Invisible Hinge
Material: zinc alloy+aluminum





CCH020

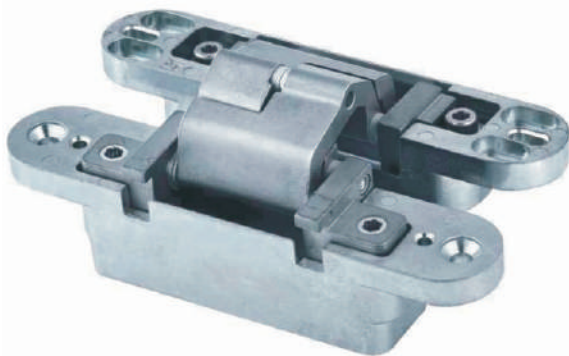


Feature:

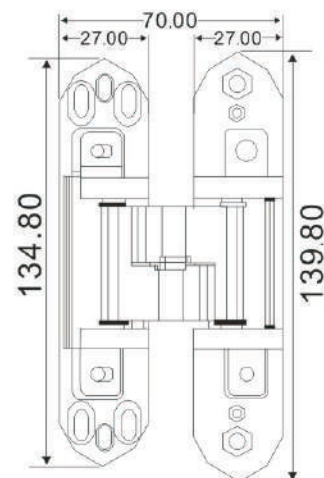
- for wood door, shutter door, aluminium door, armored door, etc;
- for left open door and right open door;
- opening angle: 180 degree;
- material: zamak body and aluminium connecting parts;
- easy installation and removal, invisible and adjustable after installing;
- 3-dimension adjustable: vertical \pm 1mm, horizontal \pm 1mm, depth \pm 1mm;
- surfaces available: satin nickel / satin chrome / pearl chrome / pearl nickel / antique brass / antique copper / etc

Technical Parameters:

- size: 22x100mm
- max load: 40kg per 3pcs hinges;
- min door thickness: 35mm;
- max door width: 1000mm;
- requires 4 pcs hinges when door high over 2100mm.



CCH021



Feature:

- for wood door, shutter door, aluminium door, armored door, etc;
- for left open door and right open door;
- opening angle: 180 degree;
- material: zamak body and aluminium connecting parts;
- easy installation and removal, invisible and adjustable after installing;
- 3-dimension adjustable: vertical \pm 3mm, horizontal \pm 3mm, depth \pm 1mm;
- surfaces available: satin nickel / satin chrome / pearl chrome / pearl nickel / antique brass / antique copper / etc

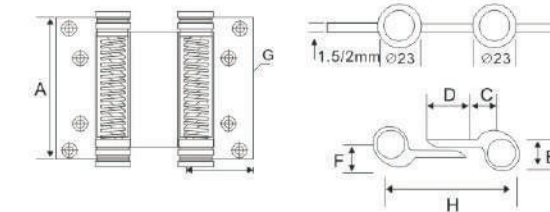
Technical Parameters:

- size: 28x135x140mm
- max load: 60kg per 3pcs hinges;
- min door thickness: 40mm;
- max door width: 1000mm;
- requires 4 pcs hinges when door high over 2100mm.



DAS001

Double Action Spring Hinge
Material: stainless steel
Finishes: SSS, PSS, PB, AB, AC

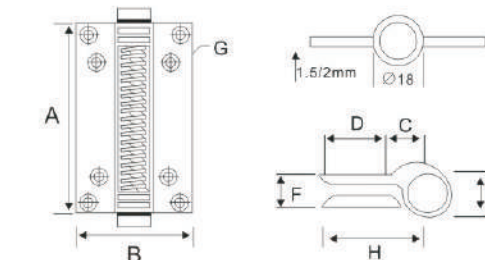


Model No.	Size(mm)							
	A	B	C	D	E	F	G	H
DAS001-3"	75	38	19	24	18	23	4.8	70
DAS001-4"	100	48	19	26	18	23	5.5	70
DAS001-5"	125	45	25	29	23	26	6.8	86
DAS001-6"	150	45	25	29	23	26	6.8	86
DAS001-8"	200	46	26	29	23	27	6	87
DAS001-8B"	200	60	32	37	28	32	6	103



SAS001

Single Action Spring Hinge
Material: stainless steel
Finishes: SSS, PSS, PB, AB, AC

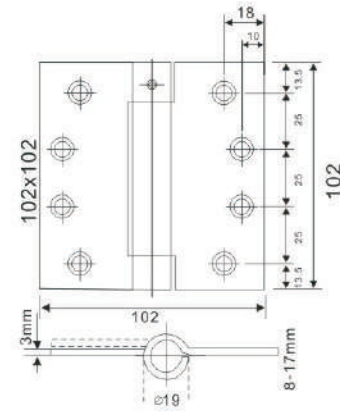


Model No.	Size(mm)							
	A	B	C	D	E	F	G	H
SAS001-3"	75	48	22	25	18	12	5.5	79
SAS001-4"	100	48	22	25	18	12	5.5	79
SAS001-5"	125	56	26	28	23	14	6.8	90
SAS001-6"	150	56	26	28	23	14	6.8	90

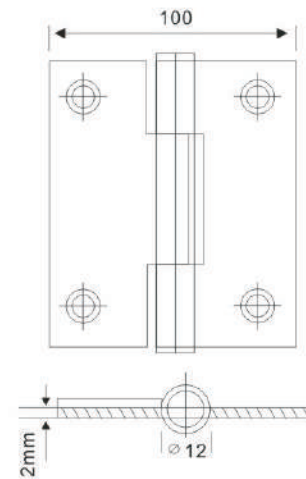


SAS002
Single Action Spring Hinge, American Standard
Material: stainless steel
Finishes: SSS, PSS

Dimension(HxWxT)
4"x3"x2.5mm
4"x3"x3.0mm
4"x4"x2.5mm
4"x4"x3.0mm
5"x3"x3.0mm

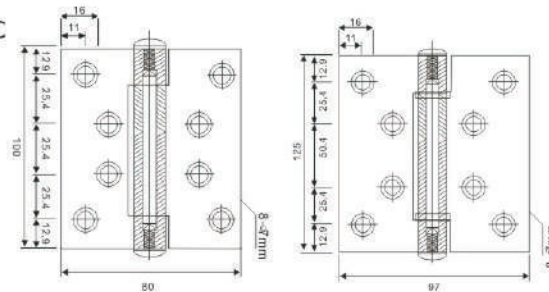


SAS004
Single Action Spring Hinge
Material: stainless steel
Finishes: SSS, PSS

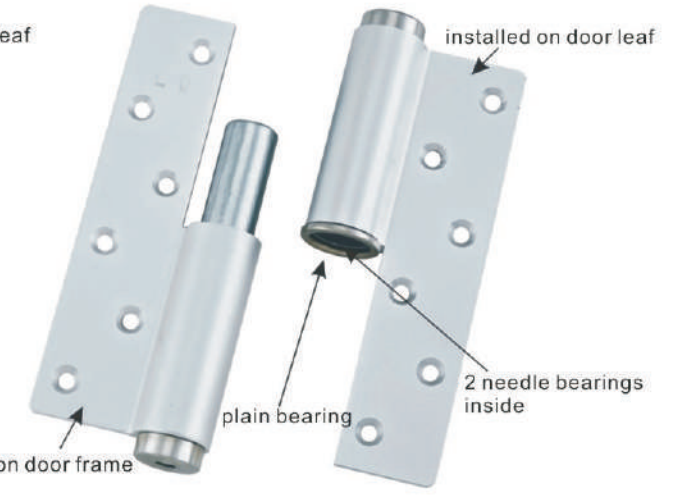


SAS005
Buffering Hinge
Material: stainless steel
Finishes: SSS, PSS, AB, AC

Dimension(HxWxT)
4"X3"X3.0mm
5"X3"X3.0mm
5"X4"X3.0mm



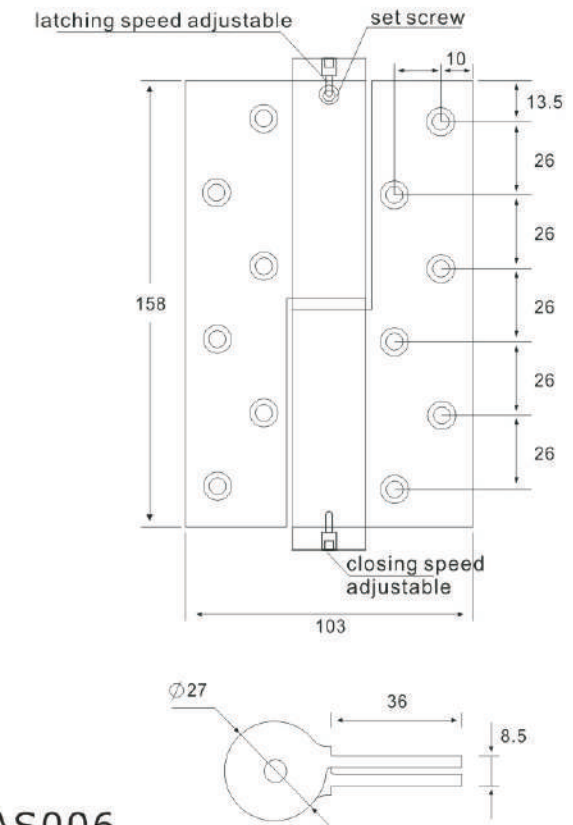
Hydraulic Hinge



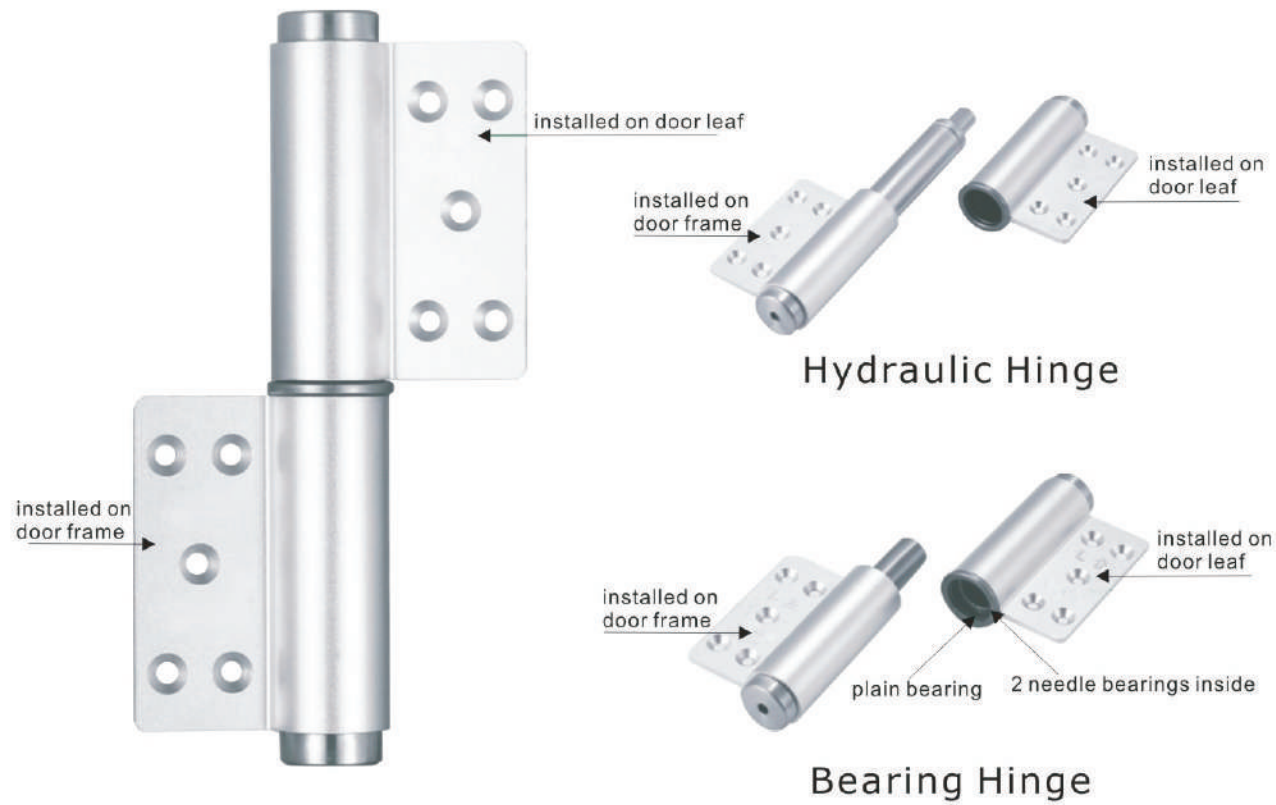
Bearing Hinge



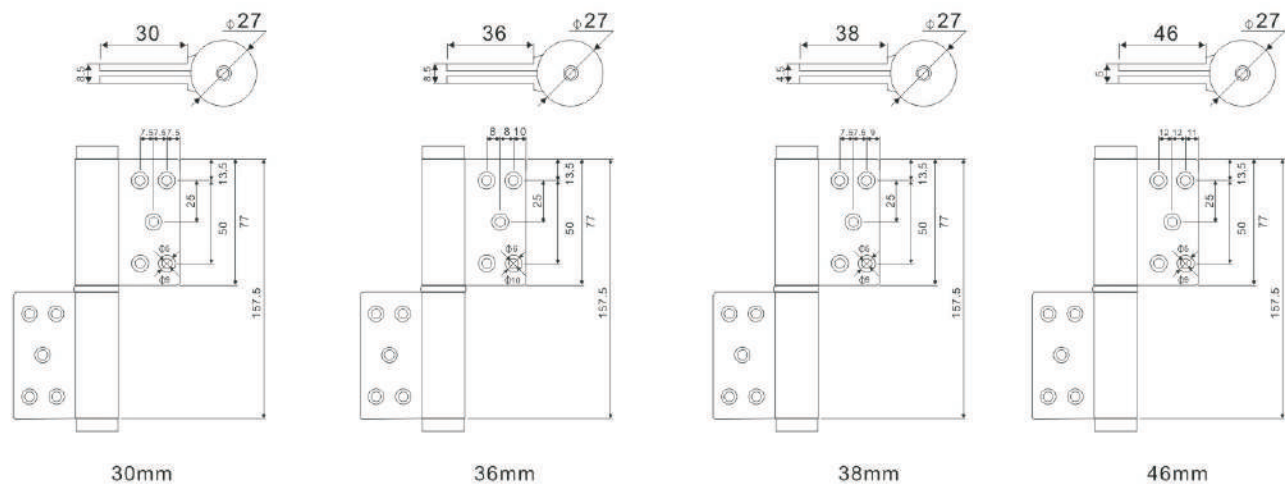
Hinge Back Side



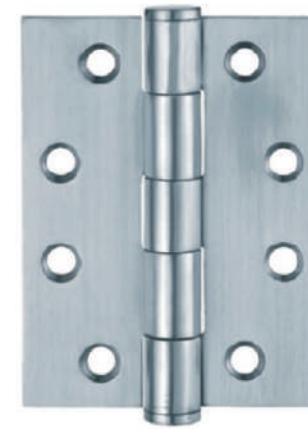
SAS006



Size:



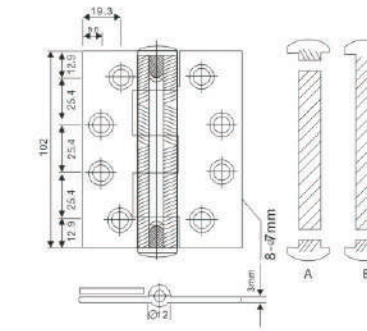
SAS007



SH001-PJ

Hinge

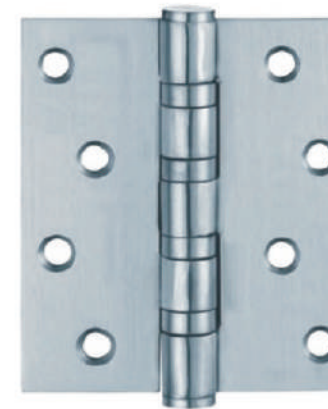
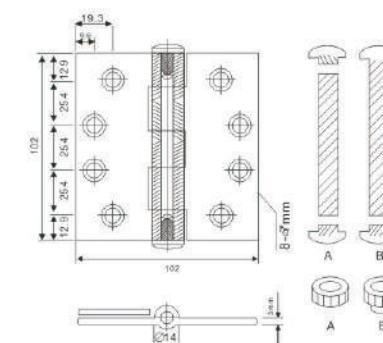
Material: stainless steel, steel, brass
 Finishes: SSS, PSS, PB, CP, SCP, SN



SH001-2BB

Hinge

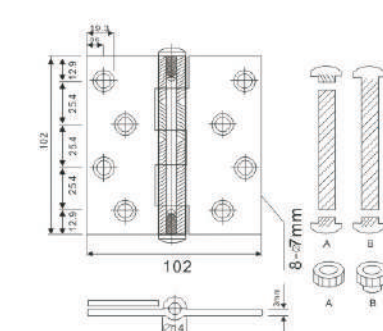
Material: stainless steel, steel, brass
 Finishes: SSS, PSS, PB, CP, SCP, SN



SH001-4BB

Hinge

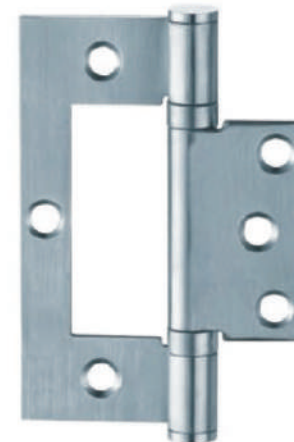
Material: stainless steel, steel, brass
 Finishes: SSS, PSS, PB, CP, SCP, SN



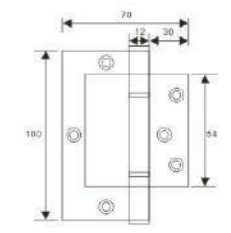
Dimension(HxWxT)
3.5"x2.0"x2.0mm
3.0"x3.0"x2.0mm
3.5"x3.5"x2.0mm
4.0"x3.0"x2.0mm
4.0"x4.0"x2.0mm
3.5"x3.5"x3.5mm
4.0"x3.0"x2.5mm
4.0"x4.0"x2.5mm
5.0"x3.0"x2.5mm
5.0"x3.5"x2.5mm
3.5"x3.5"x3.0mm
4.0"x3.0"x3.0mm
4.0"x4.0"x3.0mm
4.5"x4.0"x3.0mm
4.5"x4.5"x3.0mm
5.0"x3.0"x3.0mm
5.0"x3.5"x3.0mm
5.0"x4.0"x3.0mm
5.0"x5.0"x3.0mm
6.0"x3.5"x3.0mm
6.0"x4.0"x3.0mm
6.0"x5.0"x3.0mm
4.0"x3.0"x3.5mm
4.0"x4.0"x3.5mm
4.5"x4.0"x3.5mm
4.5"x4.5"x3.5mm
5.0"x3.0"x3.5mm
5.0"x3.5"x3.5mm
5.0"x4.0"x3.5mm
5.0"x5.0"x3.5mm
6.0"x3.5"x3.5mm
6.0"x4.0"x3.5mm
6.0"x5.0"x3.5mm
4.0"x3.0"x4.0mm
4.0"x4.0"x4.0mm
4.5"x4.0"x4.0mm
4.5"x4.5"x4.0mm
5.0"x3.0"x4.0mm
5.0"x3.5"x4.0mm
5.0"x4.0"x4.0mm
5.0"x5.0"x4.0mm
6.0"x3.5"x4.0mm
6.0"x4.0"x4.0mm
6.0"x5.0"x4.0mm




SH002
Hinge
Material:stainless steel
Finishes:SSS, PSS
Size:4.0"x3.0"x2.5mm
4.0"x3.0"x3.0mm

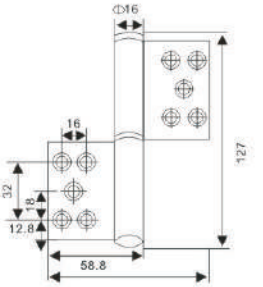
SH003
Hinge
Material:stainless steel
Finishes:SSS, PSS
Size:100x70x2.5mm
100x75x2.5mm




SH004
Hinge
Material:stainless steel
Finishes:SSS, PSS
Size:4.0"x3.5"x3.0mm
4.5"x3.5"x2.5mm

SH005
Hinge
Material:stainless steel
Finishes:SSS, PSS
Size:4"x4"x3.0mm
5"x4"x3.0mm
6"x6"x4.0mm

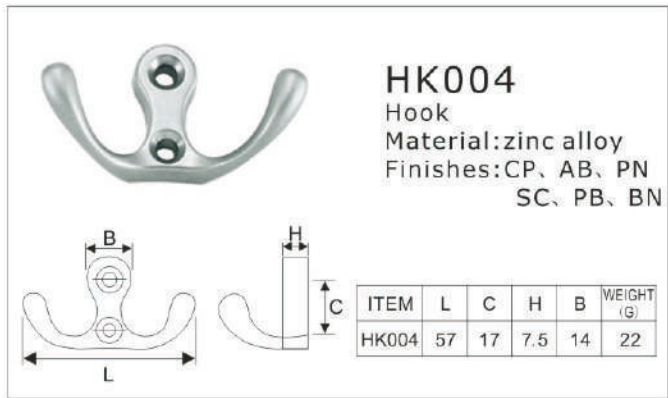
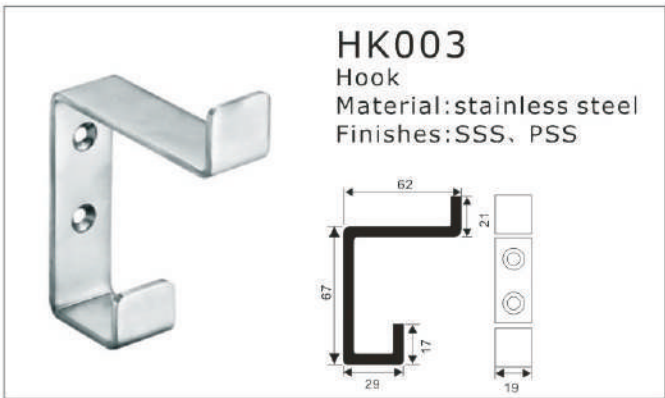



SH006
Hinge
Material:stainless steel
Finishes:SSS, PSS




SH007
Turning Hinge
Material:stainless steel
Finishes:SSS, PSS





HK009
Hook
Material:stainless steel
Finishes:SSS, PSS



HK010
Hook
Material:stainless steel
Finishes:SSS, PSS



HK011
Hook
Material:stainless steel
Finishes:SSS, PSS



HK012
Hook
Material:stainless steel
Finishes:SSS, PSS



HK013
Hook
Material:stainless steel
Finishes:SSS, PSS



HK014
Hook
Material:Stainless steel
Finishes:SSS, PSS



HK015
Hook
Material:stainless steel
Finishes:SSS, PSS



HK016
Hook
Material:stainless steel
Finishes:SSS, PSS



HK017
Hook
Material:stainless steel
Finishes:SSS, PSS, Black



HK018
Hook
Material:Stainless steel
Finishes:SSS, PSS, White



HK019
Hook
Material:stainless steel
Finishes:SSS, PSS, Black



HK020
Hook
Material:Stainless steel
Finishes:SSS, PSS, Black



HK021
Hook
Material:Stainless steel
Finishes:SSS, PSS



HK022
Hook
Material:Stainless steel
Finishes:SSS, PSS



HK023
Hook
Material:Stainless steel
Finishes:SSS, PSS



HK024
Hook
Material:Stainless steel
Finishes:SSS, PSS



HK025
Hook
Material:Stainless steel
Finishes:SSS, PSS



HK026
Hook
Material:Stainless steel
Finishes:SSS, PSS



HK027
Hook
Material:Stainless steel
Finishes:SSS, PSS



HK028
Hook
Material:Stainless steel
Finishes:SSS, PSS

DS001
Door Stopper
Material: stainless steel
Finishes: SSS, PSS

DS002
Door Stopper
Material: zinc alloy
Finishes: CP, SCP, SN, AB, AC, BP

DS003
Door Stopper
Material: zinc alloy
Finishes: CP, SCP, SN, AB, AC, BP

DS004
Door Stopper
Material: zinc alloy
Finishes: CP, SCP, SN, AB, AC, BP

DS005
Door Stopper
Material: zinc alloy
Finishes: CP, SCP, SN, AB, AC, BP

DS006
Door Stopper
Material: zinc alloy
Finishes: CP, SCP, SN, AB, AC, BP

DS007
Door Stopper
Material: stainless steel
Finishes: SSS, PSS

DS008
Door Stopper with hook
Material: stainless steel
Finishes: SSS, PSS

DS009
Door Stopper with hook
Material: zinc alloy
Finishes: CP, SCP, SN, AB, AC, BP

DS010
Door Stopper
Material: zinc alloy, stainless steel
Finishes: CP, SCP, SN, AB, AC, BP

DS011
Door Stopper
Material: stainless steel
Finishes: SSS, PSS

DS012
Door Stopper
Material: stainless steel
Finishes: SSS, PSS

DS013
Door Stopper
Material: stainless steel
Finishes: SSS, PSS

DS014
Door Stopper with hook
Material: stainless steel
Finishes: SSS, PSS

DS015
Door Stopper
Material: zinc alloy, stainless steel
Finishes: CP, SCP, SN, AB, AC, BP, SSS, PSS

DS016
Door Stopper
Material: stainless steel
Finishes: SSS, PSS

DS017
Door Stopper
Material: zinc alloy, stainless steel
Finishes: CP, SCP, SN, AB, AC, BP, SSS, PSS

DS018
Door Stopper
Material: zinc alloy
Finishes: CP, SCP, SN, AB, AC, BP

DS019
Door Stopper
Material: stainless steel, zinc alloy
Finishes: SSS, PSS, CP, SCP, SN, AB, AC, BP

DS020
Door Stopper
Material: stainless steel
Finishes: SSS, PSS

DS021
Door Stopper
Material: stainless steel
Finishes: SSS, PSS

DS022
Door Stopper
Material: stainless steel
Finishes: SSS, PSS

Size(mm)	
D	H
25	35
30	40

DS023
Door Stopper
Material: stainless steel
Finishes: SSS, PSS

DS024
Door Stopper
Material: stainless steel
Finishes: SSS, PSS

DS025
Door Stopper
Material: zinc alloy, stainless steel
Finishes: SSS, PSS

DS026
Door Stopper
Material: zinc alloy, stainless steel
Finishes: SSS, PSS

DS027
Door Stopper
Material: zinc alloy, stainless steel
Finishes: SSS, PSS

DS028
Door Stopper
Material: stainless steel
Finishes: SSS, PSS

DS029
Door Stopper
Material: stainless steel
Finishes: SSS, PSS

DS030
Door Stopper
Material: zinc alloy, stainless steel
Finishes: SCP, CP, AB, AC, SN, SSS, PSS

DS031
Door Stopper
Material: zinc alloy, stainless steel
Finishes: SCP, CP, AB, AC, SN, SSS, PSS

DS032
Door Stopper
Material: aluminium
Finishes: SELF COLOR, PD

DS033
Door Stopper
Material: stainless steel
Finishes: SSS, PSS

DS034
Door Stopper
Material: stainless steel
Finishes: SSS, PSS

DS035
Door Stopper
Material: zinc alloy
Finishes: CP, SCP, SN, AB, AC, BP

DS036
Door Stopper
Material: stainless steel
Finishes: SSS, PSS

DS037
Door Stopper
Material: stainless steel
Finishes: SSS, PSS

DS038
Door Stopper
Material: stainless steel
Finishes: SSS, PSS

DS039
Door Stopper
Material: stainless steel
Finishes: SSS, PSS

DS040
Door Stopper
Material: stainless steel
Finishes: SSS, PSS



DS041
Door Stopper
Material: stainless steel
Finishes: SSS, PSS




DS042
Door Stopper
Material: stainless steel
Finishes: SSS, PSS




DS043
Door Stopper with hook
Material: stainless steel
Finishes: SSS, PSS




DS044
Door Stopper
Material: stainless steel
Finishes: SSS, PSS




DS045
Door Stopper with hook
Material: stainless steel
Finishes: SSS, PSS




DS046
Door Stopper with hook
Material: stainless steel
Finishes: SSS, PSS




DS047
Door Stopper with hook
Material: stainless steel
Finishes: SSS, PSS




DS048
Door Stopper with hook
Material: stainless steel
Finishes: SSS, PSS




DS049
Door Stopper
Material: rubber
Finishes: BLACK, RED
Size: 37x40mm, 37x60mm




DS050
Door Stopper
Material: rubber
Finishes: BLACK, RED
Size: 23x24mm, 31x34mm




DS051
Door Stopper
Material: stainless steel
Finishes: SSS, PSS
Size: 140mm, 200mm, 225mm, 255mm




DS052
Door Stopper
Material: stainless steel, zinc alloy
Finishes: SSS, PSS, CP, SCP, SN, AB, AC, BP
Size: 140mm




DS053
Magnetic Door Holder
Material: zinc alloy
Finishes: CP, SCP, SN, AB, AC, BP




DS054
Magnetic Door Holder
Material: stainless steel, zinc alloy
Finishes: SSS, PSS, CP, SCP, SN, AB, AC, BP




DS055
Magnetic Door Holder
Material: zinc alloy
Finishes: CP, SCP, SN, AB, AC, BP




DS056
Magnetic Door Holder
Material: zinc alloy
Finishes: CP, SCP, SN, AB, AC, BP




DS057
Magnetic Door Holder
Material: zinc alloy
Finishes: CP, SCP, SN, AB, AC, BP




DS058
Magnetic Door Holder
Material: stainless steel, zinc alloy
Finishes: SSS, PSS, CP, SCP, SN, AB, AC, BP




DS059
Magnetic Door Holder
Material: stainless steel
Finishes: SSS, PSS




DS060
Magnetic Door Holder
Material: stainless steel
Finishes: SSS, PSS





DS061
Magnetic Door Holder
Material: stainless steel, zinc alloy
Finishes: SSS, PSS, CP, SCP, SN, AB, AC, BP




DS062
Magnetic Door Holder
Material: stainless steel, zinc alloy
Finishes: SSS, PSS, CP, SCP, SN, AB, AC, BP




DS063
Magnetic Door Holder
Material: zinc alloy
Finishes: CP, SCP, SN, AB, AC, BP




DS064
Magnetic Door Holder
Material: stainless steel
Finishes: SSS, PSS




DS065
Magnetic Door Holder
Material: stainless steel
Finishes: SSS, PSS





DS066
Magnetic Door Holder
Material: stainless steel
Finishes: SSS, PSS




DS067
Magnetic Door Holder
Material: stainless steel, zinc alloy
Finishes: SSS, PSS, CP, SCP, SN, AB, AC, BP




DS068
Magnetic Door Holder
Material: stainless steel, zinc alloy
Finishes: SSS, PSS, CP, SCP, SN, AB, AC, BP


L001
Tubular Latch
Material: zinc alloy
Finishes: SN, SCP, CP, PB



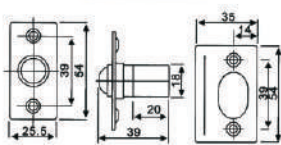


L002
Tubular Latch
Material: stainless steel
Finishes: SSS, PSS



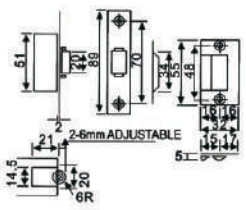


L003
Mortise Lock
Material: stainless steel
Finishes: SSS, PSS, AB, AC

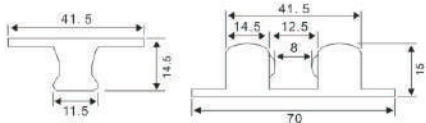

BC001
Ball Catch
Material: brass
Finishes: BP, SB, SN, SCP, CP

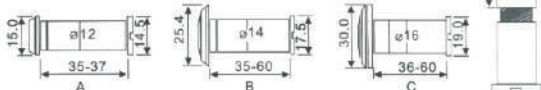
BC002
Ball Catch
Material: stainless steel
Finishes: SSS, PSS, AB, AC

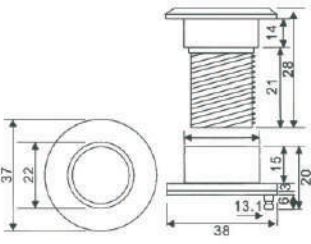
BC003
Ball Catch
Material: brass
Finishes: BP, SB, SN, SCP, CP

DV001
Door Viewer
Material: brass with plastic or glass lens
Finishes: SB, PB, SN, CP, SCP, AB, AC
Size: 160°, 180°, 200°




DV002
Door Viewer
Material: brass with plastic or glass lens
Finishes: SB, PB, SN, CP, SCP, AB, AC
Size: 200°





DB001
Material:stainless steel
Finishes:SSS, PSS, AB, AC



Width	Length
3/4"	4", 6", 8", 10", 12"



DB002
Material:stainless steel
Finishes:SSS, PSS, AB, AC




Width	Length
3/4"	4.5", 6", 8", 10", 12"



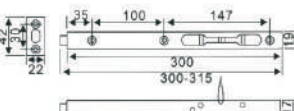
DB003
Material:stainless steel
Finishes:SSS, PSS, AB, AC




Width	Length
1"	6", 8", 10", 12"



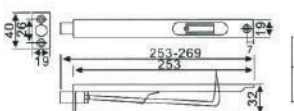
DB004
Material:stainless steel
Finishes:SSS, PSS, AB, AC



Width	Length
3/4"	6", 8", 10", 12", 18", 24", 40"



DB005
Material:brass
Finishes:PB, SB, AB, AC, CP, SCP, SN



Width	Length
3/4"	6", 8", 10", 12"



DB006
Material:stainless steel, zinc alloy
Finishes:SSS, PSS, CP, SCP, SN, AB, AC, BP




Width	Length
3/4"	6", 8", 10", 12", 18", 24", 40"



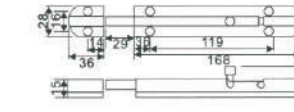
DB007
Material:stainless steel, brass
Finishes:SSS, PSS, AB, AC, BP




Width	Length
1-1/4"	4", 6", 8", 10", 12"



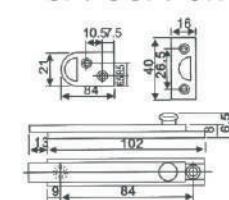
DB008
Material:brass
Finishes:PB, SB, AB, AC, CP, SCP, SN



Width	Length
16.8"	4", 6", 8", 10", 12"




DB009
Material:brass
Finishes:PB, SB, AB, AC, CP, SCP, SN



Width	Length
16mm	2", 3", 4", 5", 6"




DB010
Material:stainless steel
Finishes:SSS, PSS

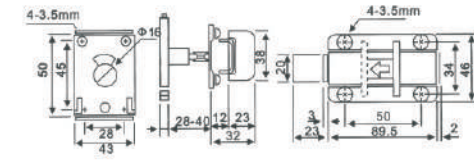
DB011
Material:stainless steel
Finishes:SSS, PSS




DB012
Material:zinc alloy
Finishes:SN, SCP, AB, AC

DB013
Material:stainless steel
Finishes:SSS, PSS




DB014
Material:stainless steel
Finishes:SSS, PSS



Width	Length
1"	6", 8", 10", 12"



DB015
Material:zinc alloy
Finishes:SCP, CP, SN




DB016
Material:stainless steel
Finishes:SSS, PSS, AB, AC

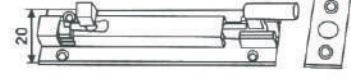




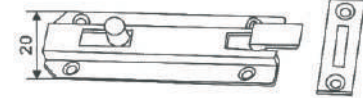
DB017
Material:brass
Finishes:PVL, SVL, CP, NP, SCP, AB, AC
Length:2", 3", 4", 5", 6", 8"



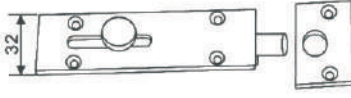
DB018
Material:brass
Finishes:PVL, SVL, CP, NP, SCP, AB, AC
Length:2", 3", 4", 5", 6", 8"



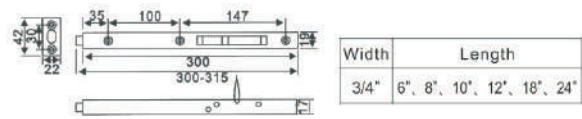
DB019
Material:brass
Finishes:PVL, SVL, CP, NP, SCP, AB, AC
Length:2", 3", 4", 5", 6", 8"



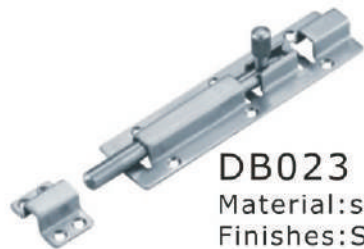
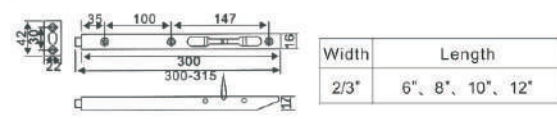
DB020
Material:brass
Finishes:PVL, SVL, CP, NP, SCP, AB, AC
Length:2", 3", 4", 5", 6", 8"



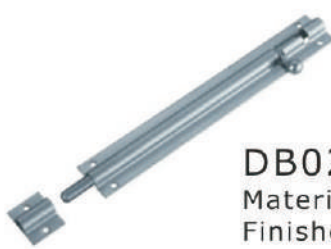
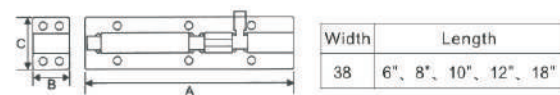
DB021
Material:stainless steel
Finishes:SSS, PSS, AB, AC



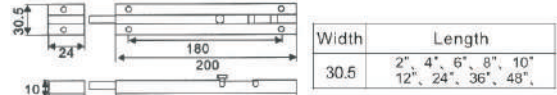
DB022
Material:stainless steel
Finishes:SSS, PSS, AB, AC



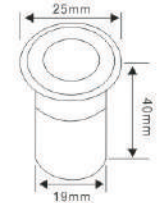
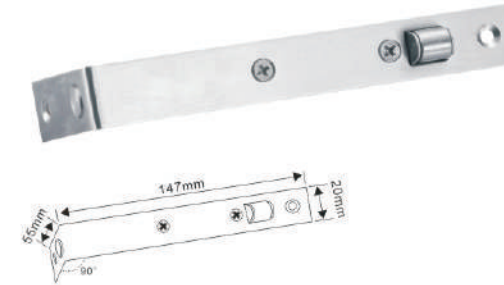
DB023
Material:stainless steel
Finishes:SSS, PSS, AB, AC



DB024
Material:stainless steel
Finishes:SSS, PSS, AB, AC

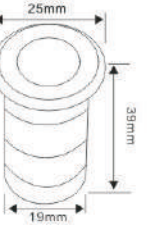


DB025
Material:stainless steel
Finishes:SSS,PSS



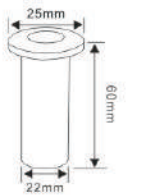
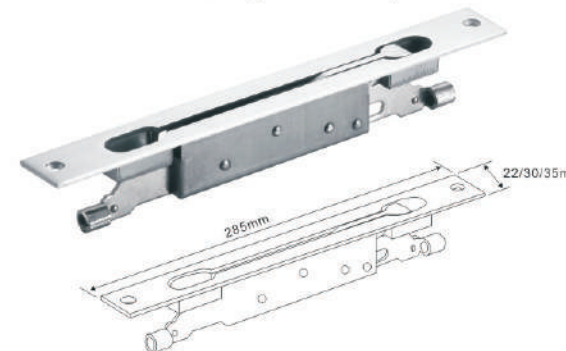
DPS001
Dust Proof Strike
Material:zinc alloy
Finishes:CP,SCP,SN,AB,AC,BP

DB026
Material:stainless steel
Finishes:SSS,PSS



DPS002
Dust Proof Strike
Material:stainless steel
Finishes:SSS,PSS

DB027
Material:stainless steel
Finishes:SSS,PSS
Size:285x22mm,285x30mm,285x35mm



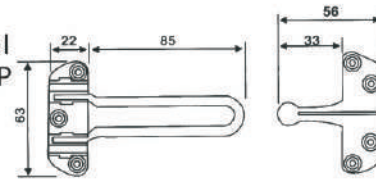
DPS003
Dust Proof Strike
Material:stainless steel
Finishes:SSS,PSS



DG001

Door Guard

Material: zinc alloy, stainless steel
 Finishes: SN, CP, PB, AB, AC, SCP, SSS, PSS

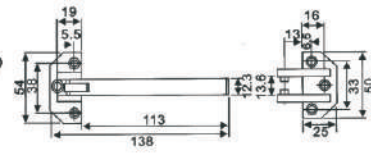


DG002

Door Guard

Material: zinc alloy

Finishes: SN, CP, PB, AB, AC, SCP

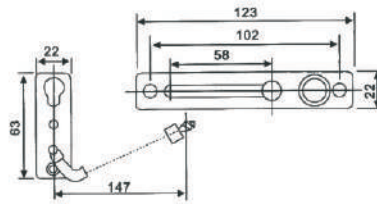


DG003

Chain Door Guard

Material: stainless steel

Finishes: SSS, PSS, PB, AB, AC

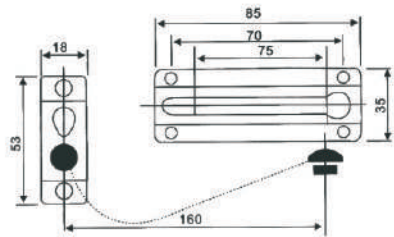


DG004

Chain Door Guard

Material: brass

Finishes: SN, CP, BP, AB, AC



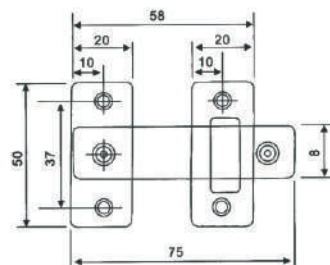
DG005

Door Guard

Material: stainless steel

Finishes: SSS, PSS, PB, AB, AC

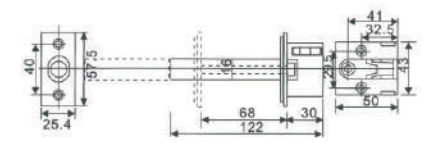
SIZE	A	B
SMALL	50	75
BIG	75	100



DG006

Chain Door Guard

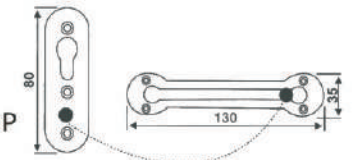
Material: stainless steel, zinc alloy
 Finishes: SSS, PSS, CP, SCP, SN, AB, AC, BP



DG007

Chain Door Guard

Material: stainless steel, zinc alloy
 Finishes: SSS, PSS, CP, SCP, SN, AB, AC, BP

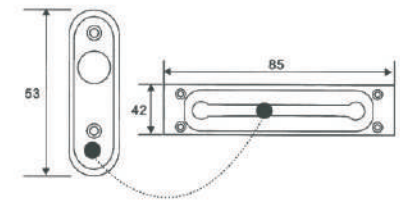


DG008

Chain Door Guard

Material: zinc alloy

Finishes: CP, SCP, SN, AB, AC, BP

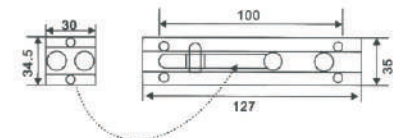


DG009

Chain Door Guard

Material: stainless steel

Finishes: SSS, PSS, PB, AB, AC

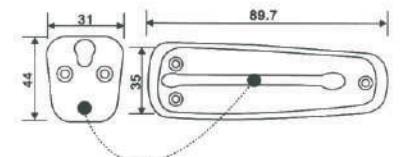


DG010

Chain Door Guard

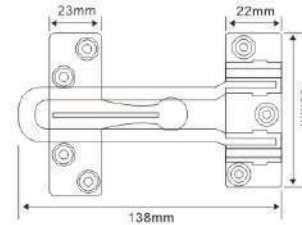
Material: stainless steel

Finishes: SSS, PSS, PB, AB, AC

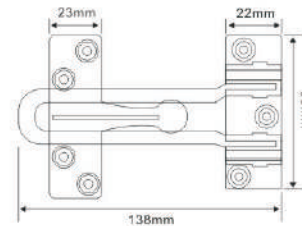




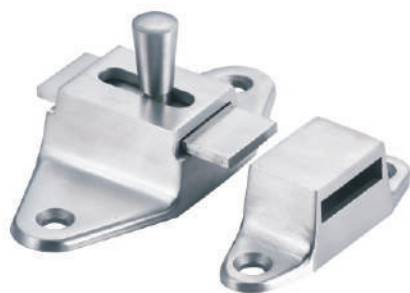
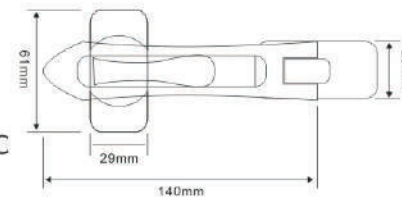
DG011
Door Guard
Material: zinc alloy
Finishes: CP, SCP, SN, AB, AC, BP



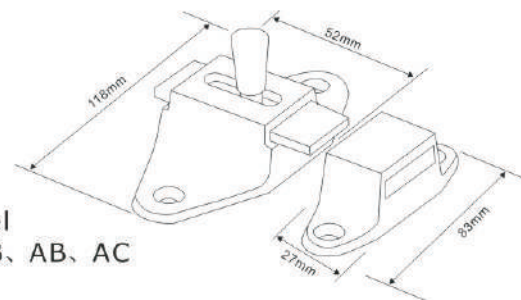
DG012
Door Guard
Material: stainless steel
Finishes: SSS, PSS, PB, AB, AC



DG013
Door Guard
Material: stainless steel
Finishes: SSS, PSS, PB, AB, AC



DG014
Door Guard
Material: stainless steel
Finishes: SSS, PSS, PB, AB, AC



Door closers Summary

1. Scope of Application

installed on the top of single open-door, suitable for escape doors, security doors, fire doors, etc, which are made of wood, metal or other material.

2. Technical Specifications

closing speed and latching speed could be freely adjusted under the interaction of metal spring and hydraulic damper; transmission modes include rack & pinion type and cam structure type.

3. Function

ensure the door close during fire emergency, prevent fire and smoke spreading, and protect the safety of people.



The Rigorous Process

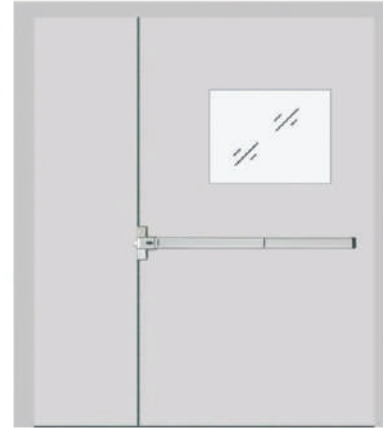
- the manufacturing base that passed ISO9001 quality authentication
- 0.005mm high precision machining
- advanced vacuum loading technology
- advanced auto-painting production line
- pass CE certificate and fireproof test
- over 500,000 times open and close test
- pass 96 hours salt spray corrosion test
- full inspection

DC003

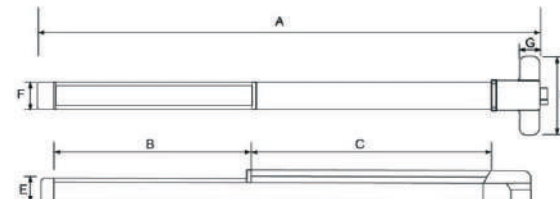
Fire Rated Push Type Rim Panic Bar Device



Installation Diagram

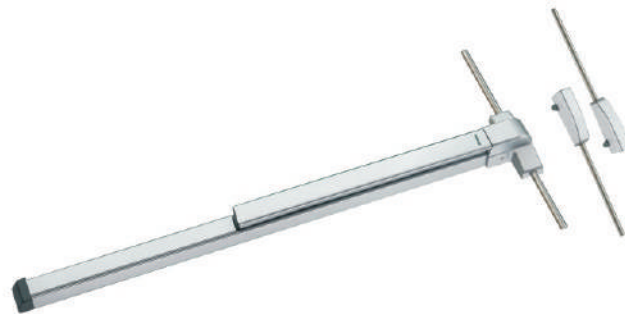


DC003	Dimension (mm)						
Model	A	B	C	D	E	F	G
650	650	235	300	155	50	50	42
800A	800	185	500	155	50	50	42
800B	800	285	400	155	50	50	42
1050	1050	425	500	155	50	50	42



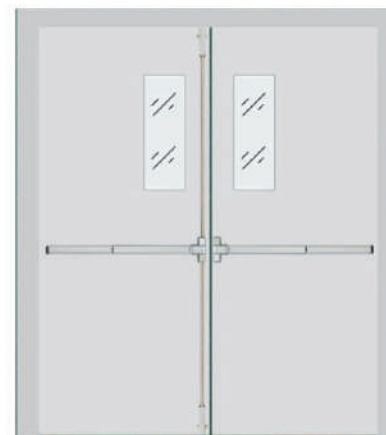
DC004

Fire Rated Push Type Vertical Panic Bar Device

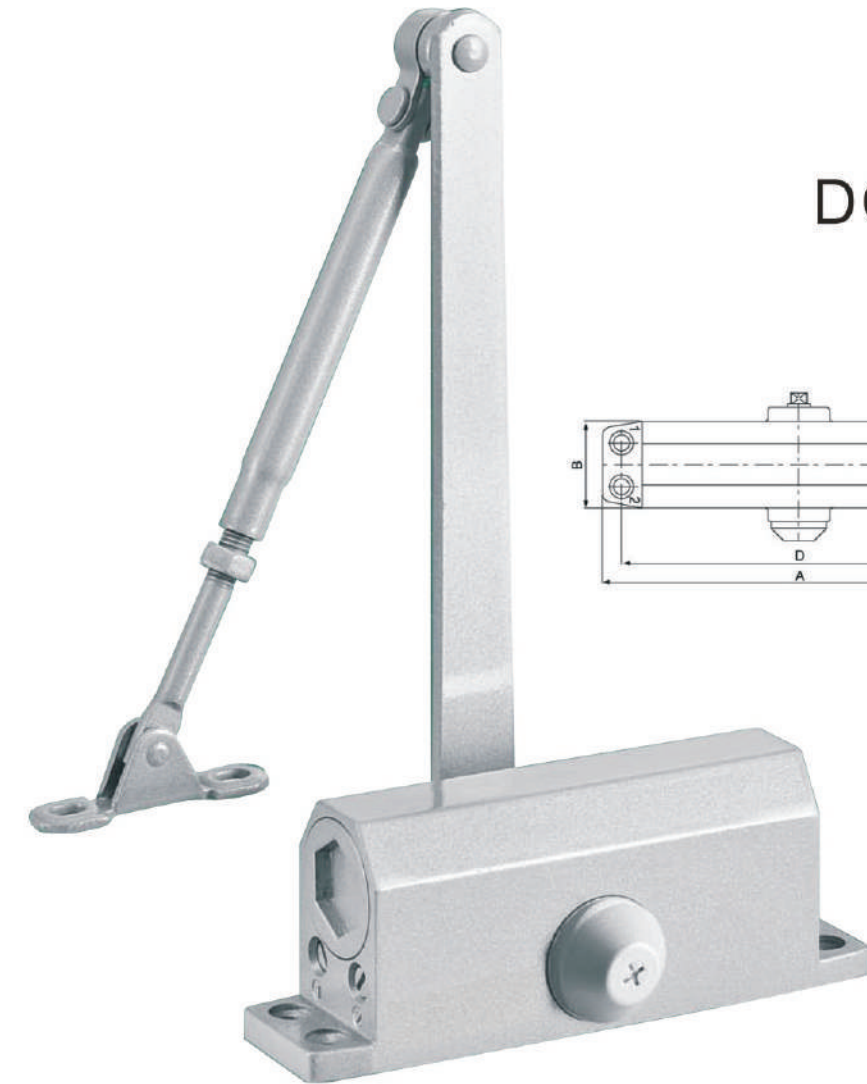
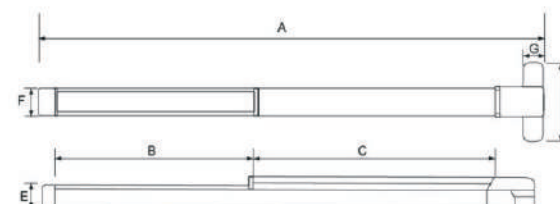


Installation Diagram

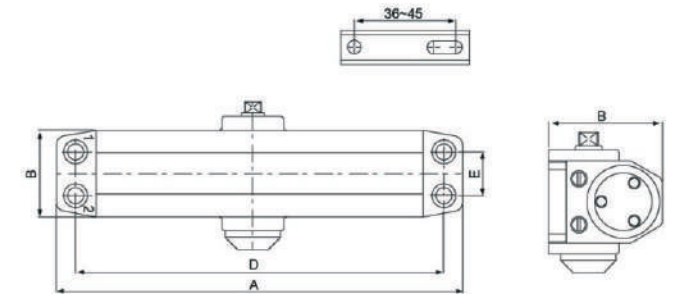
For door height: 2100-2400mm



DC004	Dimension (mm)						
Model	A	B	C	D	E	F	G
650	650	235	300	155	50	50	42
800A	800	185	500	155	50	50	42
800B	800	285	400	155	50	50	42
1050	1050	425	500	155	50	50	42

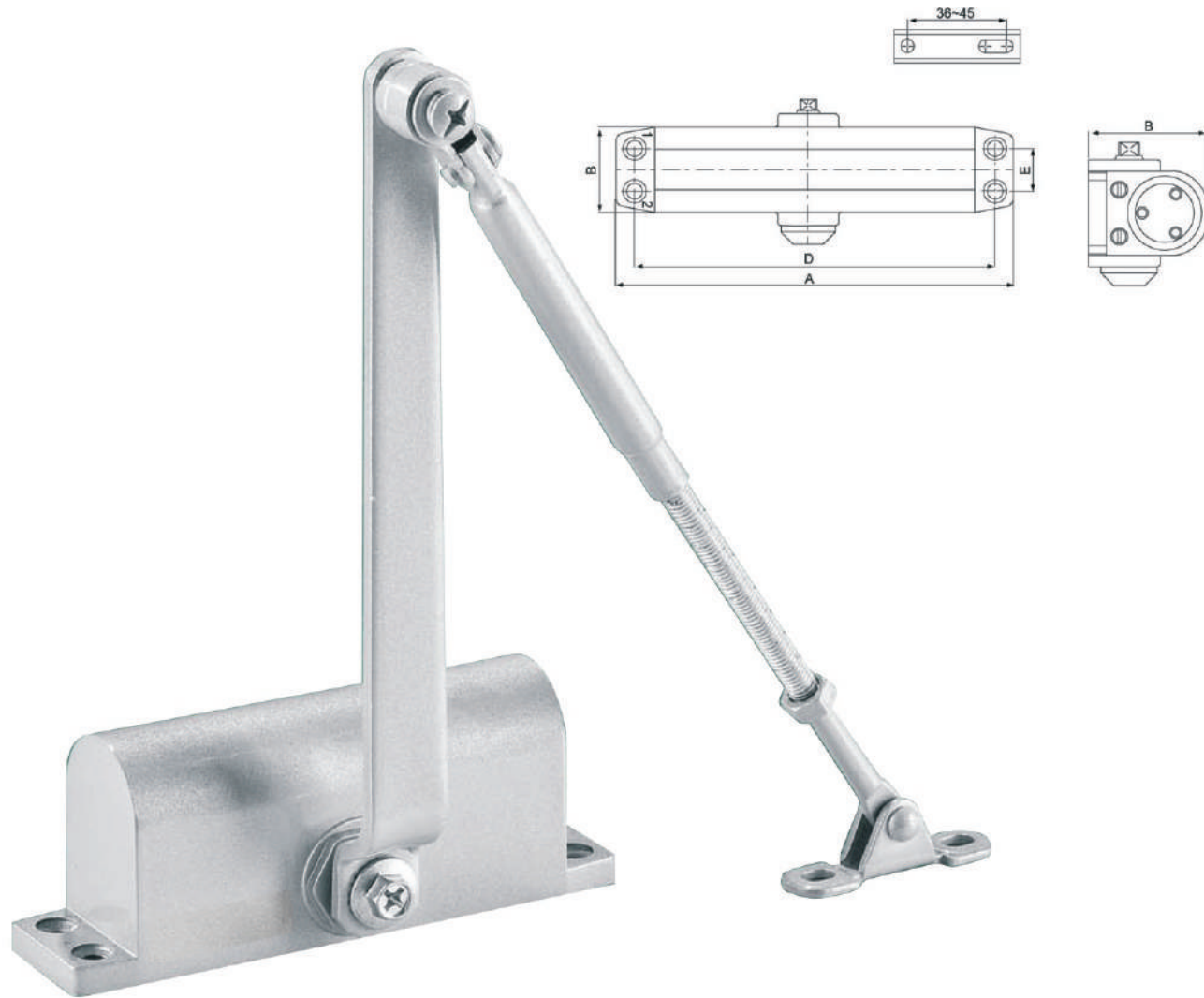


DC005



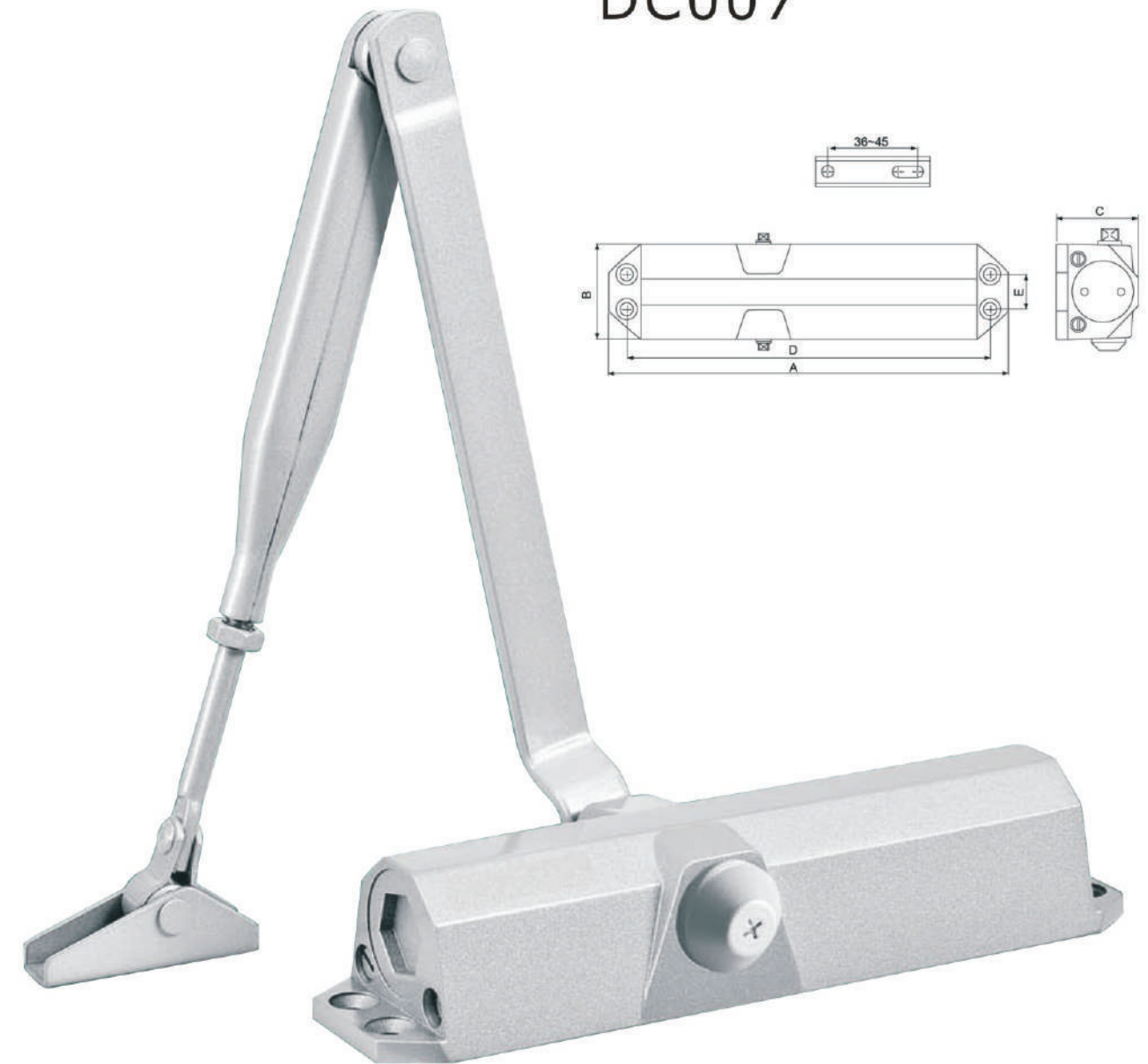
DC005	Dimension (mm)			Hole Distance (mm)		for door weight (kg)	for door width (mm)	Function
Model	A	B	C	D	E			
150	150	38	58	132	19	25-45	750-850	2 speed adjustable
150D								2 speed adjustable / hold-open
178	178	40	64	162	19	40-65	830-950	2 speed adjustable
178D								2 speed adjustable / hold-open
178-2	178	40	64	162	19	40-65	830-950	2 speed adjustable
178-2D								2 speed adjustable / hold-open
178-2BC								2 speed adjustable / buffering function
180	180	42	64	165	19	40-65	830-950	2 speed adjustable
180D								2 speed adjustable / hold-open
205	205	45	70	188	19	60-85	930-1100	2 speed adjustable
205D								2 speed adjustable / hold-open
224	224	42	62	208	19	60-85	930-1100	2 speed adjustable
224D								2 speed adjustable / hold-open
224-2								80-120
248	248	42	62	230	19	80-120	1030-1250	2 speed adjustable
248D								2 speed adjustable / hold-open

DC006



DC006 Model	Dimension (mm)			Hole Distance (mm)		for door weight (kg)	for door width (mm)	Function
	A	B	C	D	E			
150	150	38	58	132	19	25-45	750-850	2 speed adjustable
150D								2 speed adjustable / hold-open
178	178	40	64	162	19	40-65	830-950	2 speed adjustable
178D								2 speed adjustable / hold-open
205	205	45	70	188	19	60-85	930-1100	2 speed adjustable
205D								2 speed adjustable / hold-open

DC007



DC007 Model	Dimension (mm)			Hole Distance (mm)		for door weight (kg)	for door width (mm)	Function
	A	B	C	D	E			
220	220	54	45	202	19	40-65	830-950	2 speed adjustable
220D								2 speed adjustable / hold-open

DC008



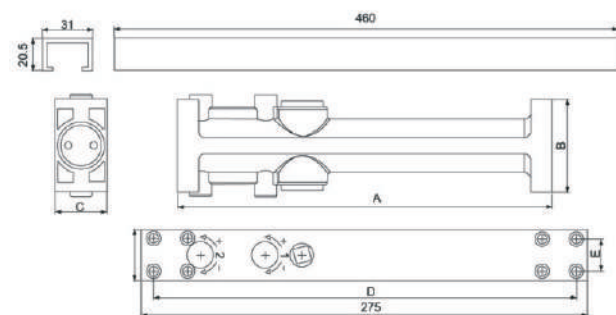
DC008	Dimension (mm)					Hole Distance (mm)	for door weight (kg)	for door width (mm)	Function
Model	A	B	C	D	E				
220	220	54	45	202	19	40-65	830-950	2 speed adjustable	
220D	2 speed adjustable / hold-open								

DC009



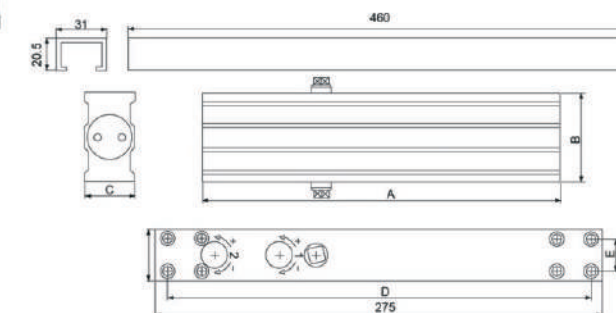
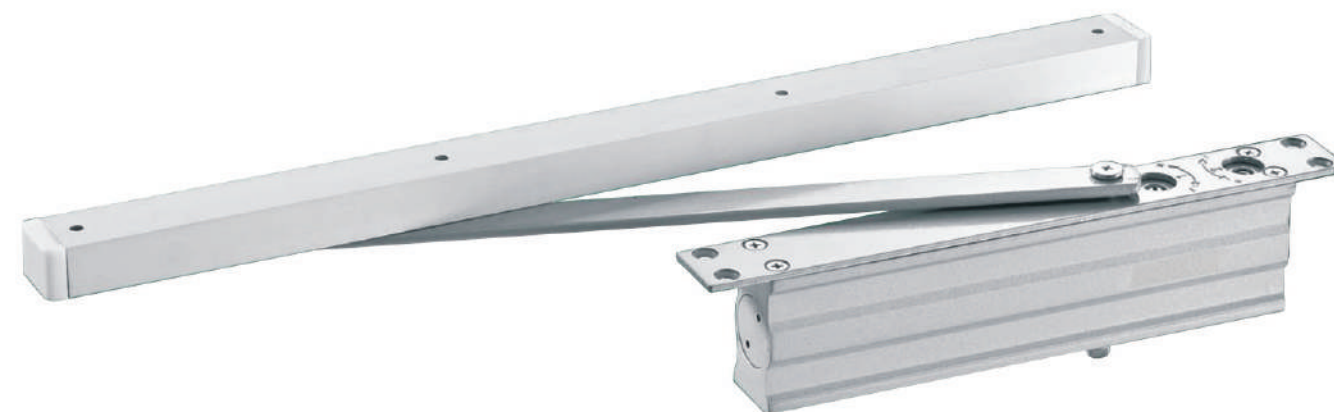
DC009	Dimension (mm)					Hole Distance (mm)	for door weight (kg)	for door width (mm)	Function				
Model	A	B	C	D	E								
207	207	55	40	50X50	39	40-65	830-950	2 speed adjustable					
207D								2 speed adjustable / hold-open					
2072						60-85	930-1100	2 speed adjustable					
2072D								2 speed adjustable / hold-open					

DC010



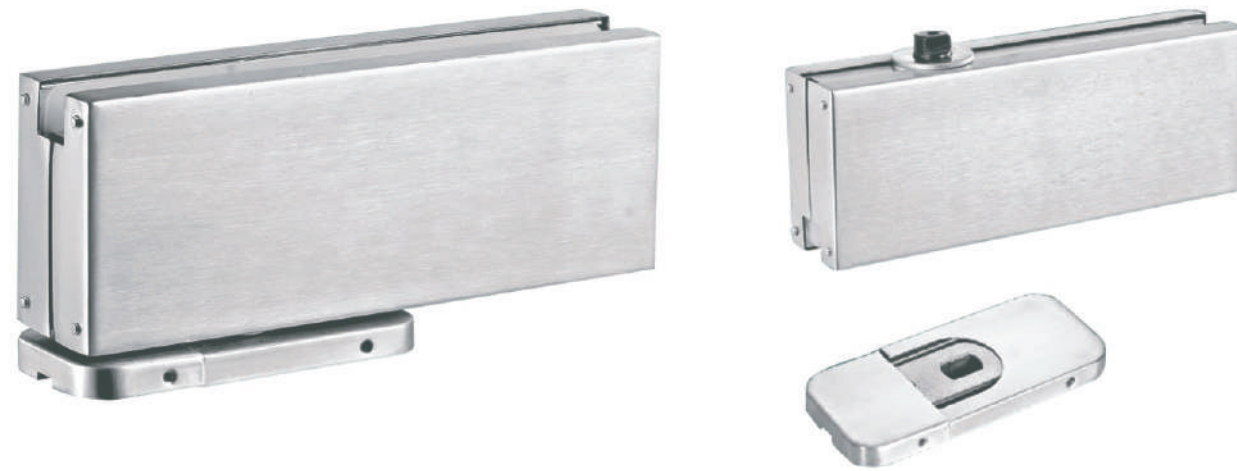
DC010 Model	Dimension (mm)			Hole Distance (mm)		for door weight (kg)	for door width (mm)	Function
	A	B	C	D	E			
230	230	58	32	260	20	40-65	830-950	2 speed adjustable / hold-open
2302						60-85	930-1100	2 speed adjustable / hold-open

DC011



DC011 Model	Dimension (mm)			Hole Distance (mm)		for door weight (kg)	for door width (mm)	Function
	A	B	C	D	E			
230	230	58	32	260	20	40-65	830-950	2 speed adjustable / hold-open
2302						60-85	930-1100	2 speed adjustable / hold-open

DC012



Hydraulic Patch Hinge

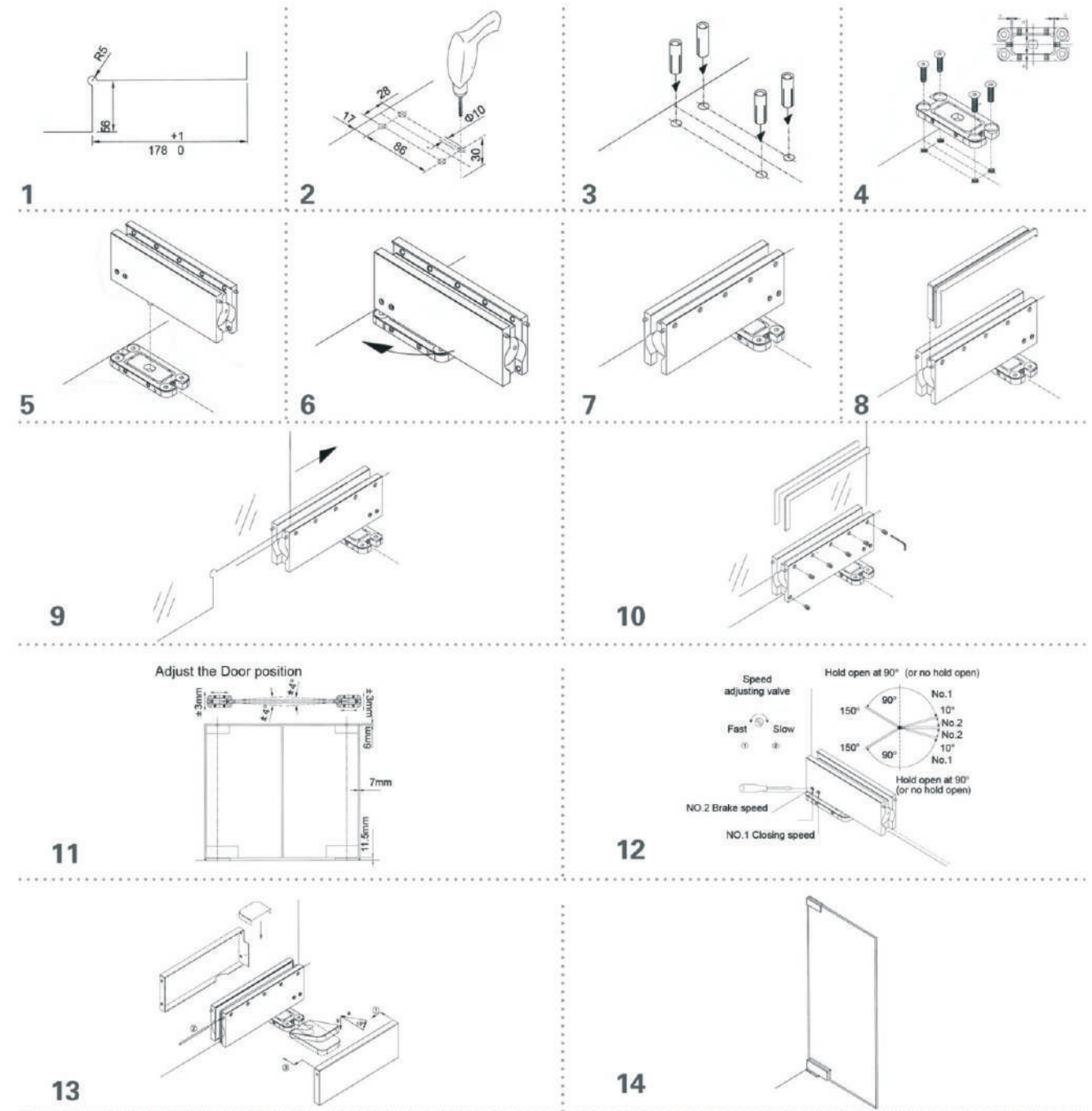
Function:

- with aluminium alloy core and stainless steel cover;
- no need hole on glass, no need to dig hole on cement floor;
- easy installed on ground, easy to maintenance;
- combined the function of floor spring and lower clamp;
- opening at both directions, 90° hold open or non-hold open,
- closing speed and braking speed adjustable;
- only for interior door.

- Dimention: 185x68x36mm
- Max door weight: 100kg
- For door width: 750-850mm

DC012

■ Installation Method



Door Closer Accessories(Optional)



A01



A02



A03



A04



A05



A06(A,B,C)



SP001
Men's Washroom
Material:stainless steel
Size:100x100x1.5mm



SP002
Ladies Washroom
Material:stainless steel
Size:100x100x1.5mm



SP003
Public Washroom
Material:stainless steel
Size:170x130x1.5mm



SP004
Public Washroom
Material:stainless steel
Size:Φ76x1.5mm



SP005
Men's Washroom
Material:stainless steel
Size:Φ76x1.5mm



SP006
Ladies Washroom
Material:stainless steel
Size:Φ76x1.5mm



SP007
For Handicapped
Size:Φ76x1.5mm



SP008
No Smoking
Size:Φ76x1.5mm



SP009
Shower Indication
Size:Φ76x1.5mm



SP010
Push Indication
Size:Φ76x1.5mm



SP011
Pull Indication
Size:Φ76x1.5mm



SP012
Fire Door Indication
Material:stainless steel
Size:Φ76x1.5mm



SP013
For Handicapped
Size: 100x100x1.5mm



SP014
No Smoking
Material: stainless steel
Size: 100x100x1.5mm



SP015
Men's Washroom
Size: 170x130x1.5mm



SP016
Ladies Washroom
Size: 100x100x1.5mm



SP017
Ladies Washroom
Material: stainless steel
Size: 100x100x1.5mm



SP018
Men's Washroom
Material: stainless steel
Size: 170x130x1.5mm



SP019
Push Indication
Size: 86mmx98mm



SP020
Pull Indication
Size: 86mmx98mm



SP021
Men's Washroom
Material: stainless steel
Size: 170x130x1.5mm



SP022
Push Indication
Size: 75mmx300mmx1.5mm



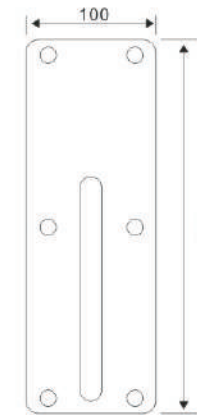
SP023
Push Indication
Size: 100mmx300mmx1.5mm



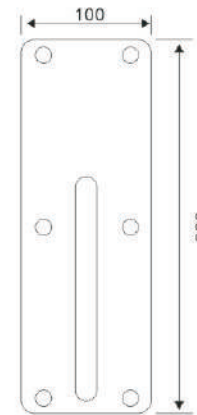
SP024
Push Indication
Size: 76mmx305mmx1.5mm



SP025
Push Indication With Handle
Material: stainless steel
Size: 100x300x1.5mm



SP026
Push Indication With Handle
Material: stainless steel
Size: 100x300x1.5mm



SP027
Number
Material: stainless steel
Finishes: SSS, PSS
Size: 50x1.2mm, 50x1.5mm, 75x1.5mm,
75x2.0mm, 100x1.5mm, 100x2.0mm,
130x2.0mm, 130x3.0mm, 156x2.0mm

0123456789

